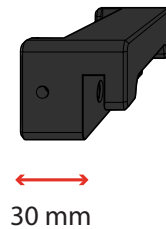
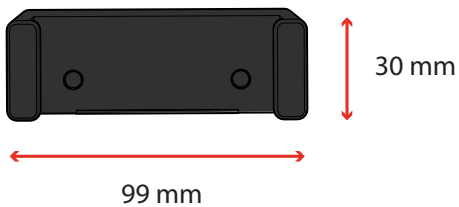
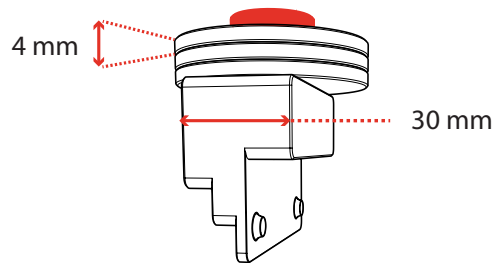
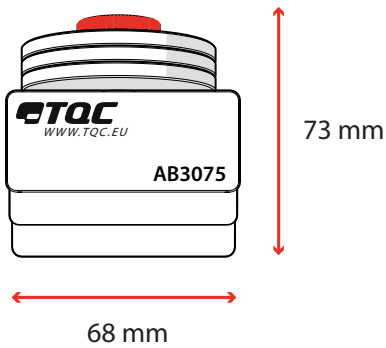
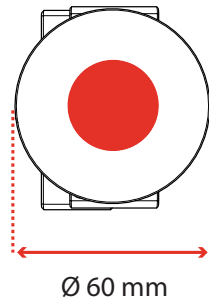


TQC GRINDOMETER TOOL FOR AFA AB3075



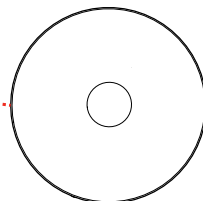
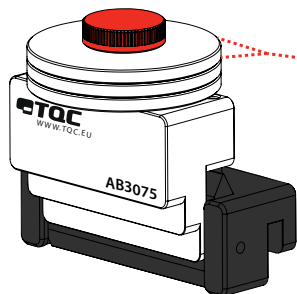
ANNEX F | GRINDOMETER TOOL FOR AFA

Dimensions



ANNEX F | GRINDOMETER TOOL FOR AFA

Weight



100 g



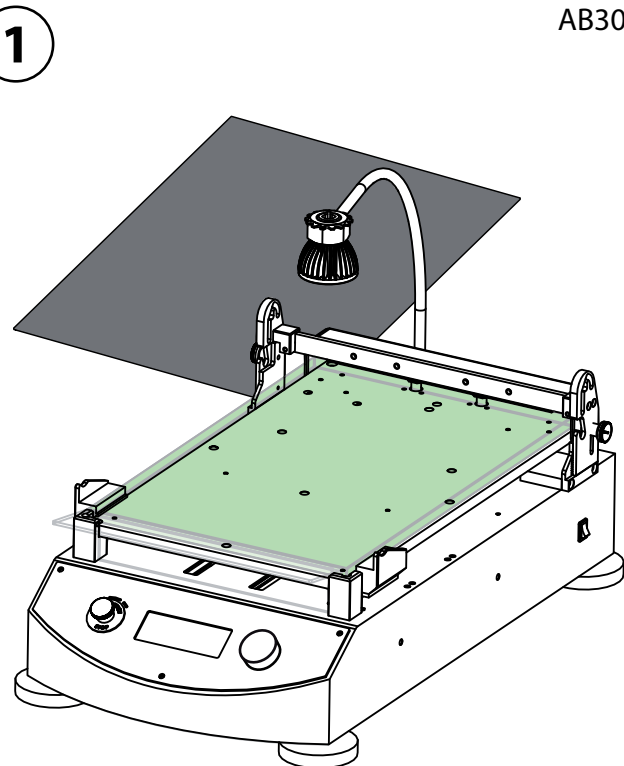
805 g



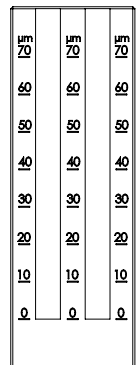
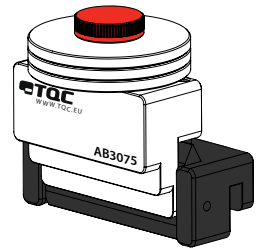
114 g

ANNEX F | GRINDOMETER TOOL FOR AFA

Tool Operation



AB3075



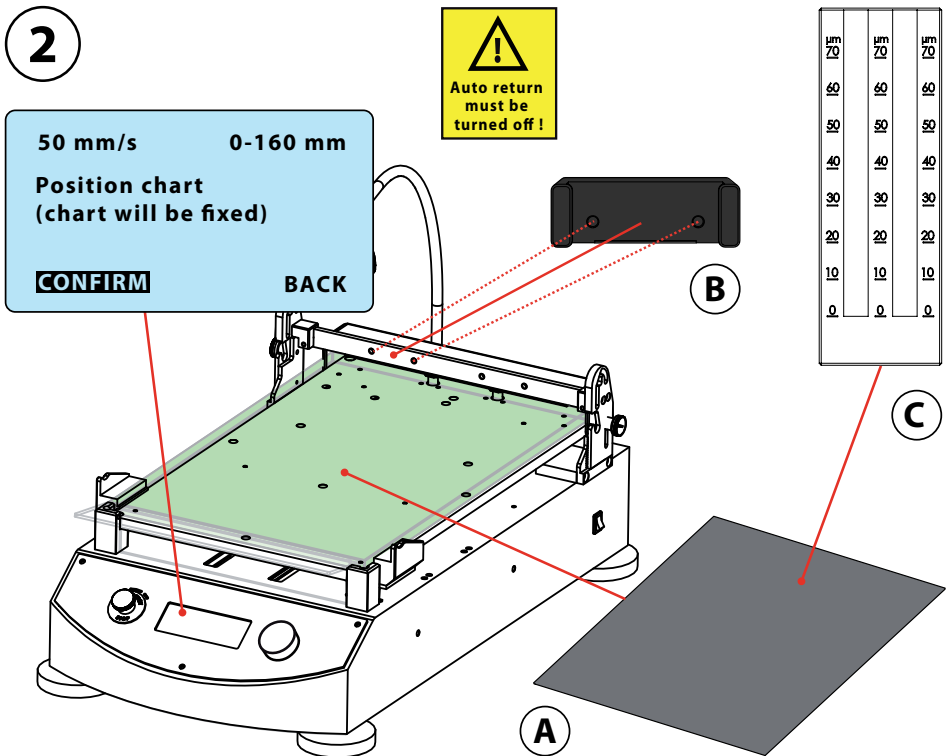
ANNEX F | GRINDOMETER TOOL FOR AFA

Setup

Settings

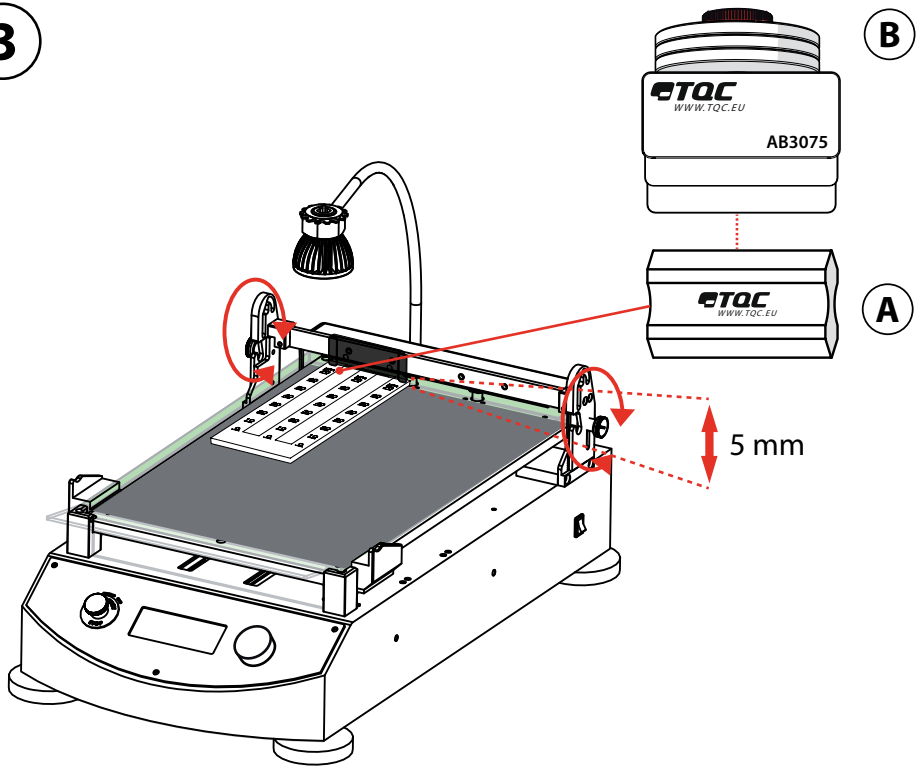
- Speed : 30 – 50 mm/s
- Length : Custom Start point - 0 mm / End point 160 mm
- Turn auto return off

See also 8.2



ANNEX F | GRINDOMETER TOOL FOR AFA

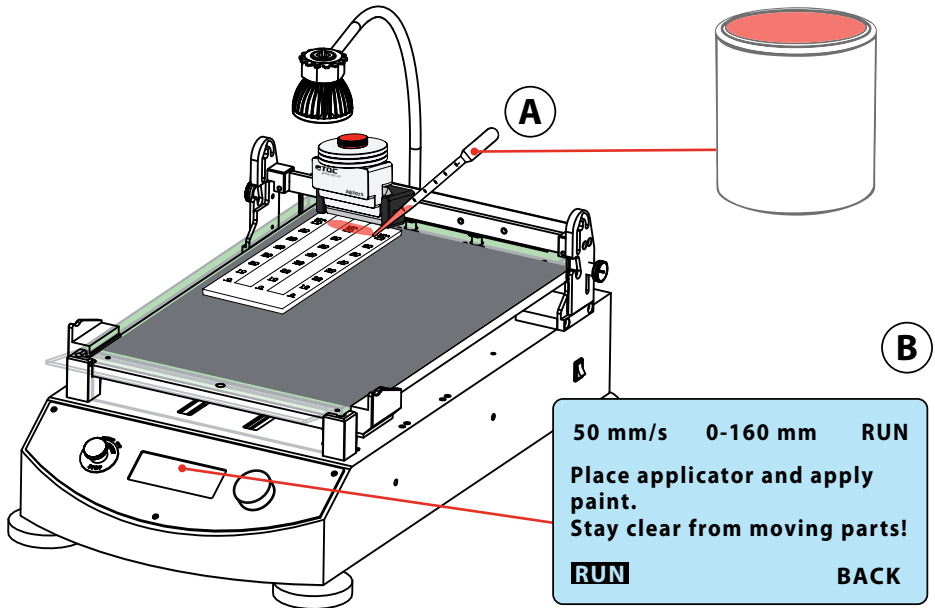
Height adjustment

3

ANNEX F | GRINDOMETER TOOL FOR AFA

Drawdown

4



ANNEX F | GRINDOMETER TOOL FOR AFA

After drawdown

5